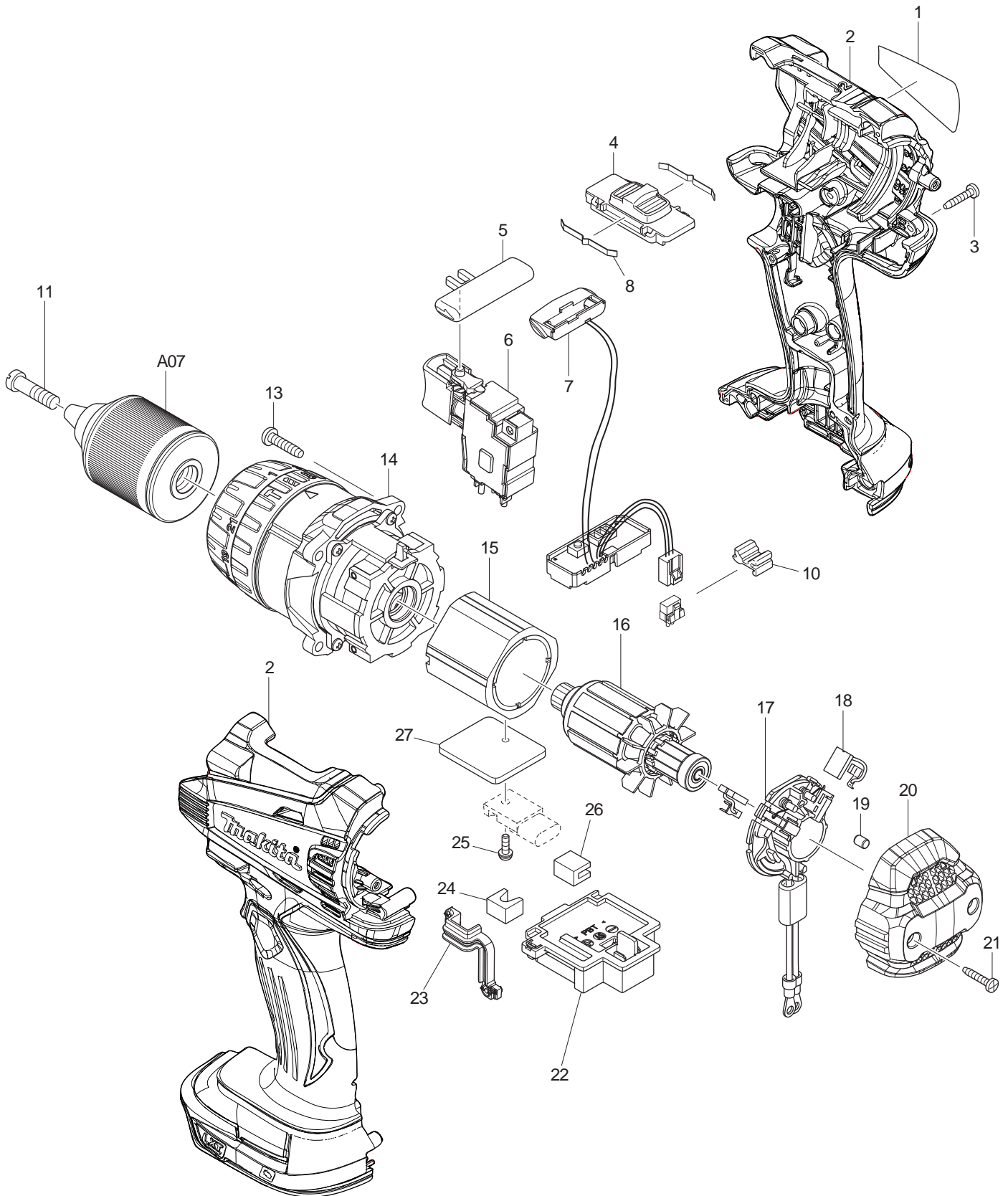




03 - 2012
LXPH03 / LXPH03Z / LXPH03Z1 / LXPH031
18V 1/2" HAMMER DRIVER DRILL



| Item No. | Type | Sub | Part No. | Description | Qty | Unit |
|--------------------------|------|------|--|--------------------------------------|-----|------|
| 1 | | | 897154-0 | LXPH03 NAME PLATE | 1 | PC. |
| 2 | | | 187432-9 | HOUSING SET | 1 | PC. |
| | | INC. | 263005-3 | RUBBER PIN 6 | 2 | PC. |
| | | INC. | 252126-6 | HEX. LOCKING NUT M4-7 | 2 | PC. |
| 3 | | | 266130-9 | TAPPING SCREW BIND PT 3X16 | 7 | PC. |
| 4 | | | 126100-9 | SPEED CHANGE LEVER ASSEMBLY | 1 | PC. |
| | | INC. | 233438-6 | COMPRESSION SPRING 4 | 2 | PC. |
| 5 | | | 419250-0 | F/R CHANGE LEVER | 1 | PC. |
| 6 | 1 | | 650683-2 | SWITCH TG573FSB-4 | 1 | PC. |
| | 2 | | 650725-2 | SWITCH TG573FSB-4 | 1 | PC. |
| 7 | | | 620139-9 | LED CIRCUIT | 1 | PC. |
| 8 | | | 232220-0 | LEAF SPRING | 2 | PC. |
| 10 | 1 | | 424026-2 | CUSHION | 1 | PC. |
| | 2 | | 424476-1 | CUSHION | 1 | PC. |
| 11 | | | 251468-5 | - FLAT HEAD SCREW M6X22 | 1 | PC. |
| 13 | | | 265995-6 | TAPPING SCREW 4X18 | 4 | PC. |
| 14 | 1 | * | 126099-8 | GEAR ASSEMBLY | 1 | PC. |
| | 2 | * | 126448-9 | GEAR ASSEMBLY | 1 | PC. |
| 15 | | | 638989-8 | YOKE UNIT | 1 | PC. |
| 16 | | | 619301-1 | ARMATURE | 1 | PC. |
| 17 | | | 638614-1 | BRUSH HOLDER COMPLETE | 1 | PC. |
| 18 | | | 195021-6 | CARBON BRUSH CB-440 2PC/SET W/ORIGIN | 1 | SET |
| 19 | | | 263032-0 | RUBBER PIN 4 | 2 | PC. |
| 20 | | | 453394-6 | REAR COVER | 1 | PC. |
| 21 | | | 266130-9 | TAPPING SCREW BIND PT 3X16 | 2 | PC. |
| 22 | 1 | | 643859-8 | TERMINAL | 1 | PC. |
| | 2 | | 644808-8 | INSULATOR COMPLETE | 1 | PC. |
| 23 | | | 424430-5 | SEAL | 1 | PC. |
| 24 | | | 423422-1 | SPONGE A | 1 | PC. |
| 25 | | | 911013-5 | PAN HEAD SCREW M3X10 | 1 | PC. |
| 26 | | | 423423-9 | SPONGE B | 1 | PC. |
| 27 | | | 689176-2 | HEAT SINK | 1 | PC. |
| 100 | | | 251314-2 | + SCREW M4X12 (F/HOOK) | 2 | PC. |
| C01 | | | 873157-8 | CARTON FOR LXPH03Z | 1 | PC. |
| D01 | | | 652045-0 | +PAN HEAD SCREW M3.5X5 | 2 | PC. |
| E01 | | | 810300-8 | CAUTION LABEL | 1 | PC. |
| <u>ACCESSORIS</u> | | | - See catalogue or visit www.makita.ca for more optional accessories - | | | |
| A01 | | | 126131-8 | GRIP ASSEMBLY | 1 | PC. |
| | | INC. | 154935-8 | GRIP 36 COMPLETE | 1 | PC. |
| | | INC. | 266750-9 | SQUARE BOLT M8X100 | 1 | PC. |
| | | INC. | 346566-9 | GRIP SPRING 60 | 1 | PC. |
| | | INC. | 453584-1 | GRIP BASE 60 | 1 | PC. |
| | | INC. | 265785-7 | THUMB SCREW M5X10 | 1 | PC. |
| | | INC. | 931202-6 | HEX. NUT M5 | 1 | PC. |
| A03 | | | 346449-3 | HOOK | 1 | PC. |
| A04 | | | 452947-8 | BIT HOLDER | 1 | PC. |
| A05 | | | 784637-8 | +/- BIT 2-45 | 2 | PC. |
| A06 | | | 122576-8 | STOPPER POLE ASS'Y | 1 | PC. |
| A07 | | | 766015-4 | 1/2" KEYLESS DRILL CHUCK | 1 | PC. |
| A08 | | | 194205-3 | 18V LI-ION BATTERY BL1830 | 1 | PC. |
| | | | 194230-4 | 18V LI-ION BATTERY BL1830 2/PK | 1 | PK |
| | | | 194288-3 | 18V LI-ION BATTERY BL1830 10/PK | 1 | PK |
| A09 | 1 | | DC18RA | CHARGER DC18RA | 1 | PC. |
| | 2 | | DC18RC | CHARGER DC18RC | 1 | PC. |
| | | | DC18SD | CHARGER DC18SD | 1 | PC. |
| | | | DC24SD | CHARGER DC24SC | 1 | PC. |

(Updated:12/06/2014)

| Item No. | Type | Sub | Part No. | Description | Qty | Unit |
|----------|------|-----|----------|---------------------------|-----|------|
| | | | DC18SE | AUTOMOTIVE CHARGER DC18SE | 1 | PC. |
| A10 | | | 450128-8 | BATTERY COVER F/LI-ION | 1 | PC. |
| A11 | 1 | | 821532-2 | PLASTIC CARRYING CASE | 1 | PC. |
| | 2 | | 142147-5 | PLASTIC CASE COMPLETE | 1 | PC. |

SERVICE CHANGES

1. Changes on Gear Assy

(TI#A1830)

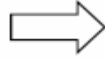
| Item No. | Description | Type 1 | Type 2 |
|----------|---------------|----------|----------|
| 14 | GEAR ASSEMBLY | 126099-8 | 126448-9 |

Type 1

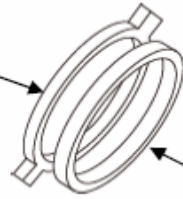
Type 2



Sleev18
(Resin)



Washer C
(Metal)



Ring 18
(Metal)